

Eclipse 50

SURFACE STEM



SPECIFICATION SHEET

Eclipse 50



Model 1670

Type

S Surface - STEM

Size

24 24.8" [631mm]
 36 36.3" [921mm]
 48 47.7" [1211mm]
 60 59.1" [1500mm]
 72 70.5" [1790mm]
 Custom

Wattage^{1,2}

Direct³

24"
 LD 18W (2400lm)
 MD 36W (4460lm)
36"
 LD 27W (3600lm)
 MD 54W (6685lm)
48"
 LD 36W (4800lm)
 MD 72W (8915lm)
60"
 LD 45W (6000lm)
 MD 90W (11145lm)
72"
 LD 54W (7200lm)
 MD 108W (13375lm)

Indirect⁴

LI 18W (2400lm)
 MI 36W (4460lm)
 LI 27W (3600lm)
 MI 54W (6685lm)
 LI 36W (4800lm)
 MI 72W (8915lm)
 LI 45W (6000lm)
 MI 90W (11145lm)
 LI 54W (7200lm)
 MI 108W (13375lm)

XD - No Direct

XI - No Indirect

Color Temp⁵

30 3000
 35 3500
 40 4000

Voltage

U 120/277 Volt
 1 120 Volt (DFPN only - see section Control)

Driver

RD Remote

Control - RD

S Non-dim
 D010 0-10V 10%
 DFPN Lutron Forward Phase 1% 120 Volt
 L3DAE Lutron Hi-lume 1% EcoSystem
 L3D0E Lutron Hi-lume Premier 0.1% EcoSystem

Diffuser Bottom

SW Satin opal acrylic
 CB Aluminum - painted to match the fixture

Diffuser Top

SA Satin clear acrylic
 CT Aluminum - painted to match the fixture

Finish

19 Painted anodized aluminum - RAL 9006 matte
 21 Painted white - RAL 9010 matte
 26 Painted black - RAL 9005 matte
 22 Painted custom color

Mounting

S Stem - remote driver

Circuit

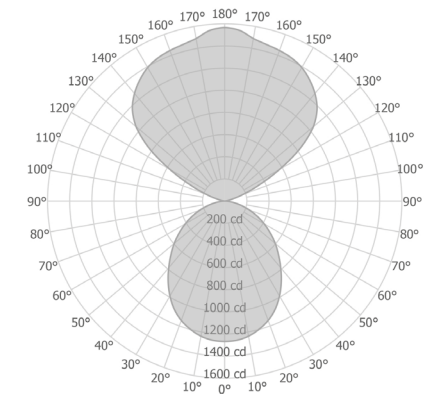
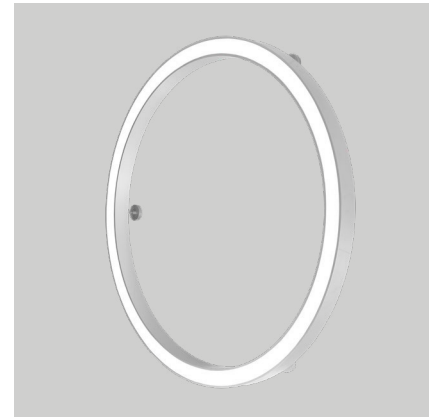
CS Circuit - Single
 CD Circuit - Dual

Notes

- 1 Nominal lumens value specified
- 2 Linear LED board, constant voltage 24 Volt
- 3 For no Direct light specify XD
- 4 For no Indirect light specify XI
- 5 90+ CRI standard

Example fixture number:

1670 - S - 24 - LD - LI - 30 - U - RD - S - SW - SA - 19 - S - CS



Eclipse 50

SURFACE - STEM



Eclipse 50 is available in pendant and surface versions. Offered in a wide variety of standard diameters and lumen packages, the luminaire is available for as much modification as your imagination will allow, including ovals and squares.



Size	
24	24.8" [631mm]
36	36.3" [921mm]
48	47.7" [1,211mm]
60	59.1" [1,500mm]
72	70.5" [1,790mm]
Custom	



* 50mm x 50mm fixture body profile

Eclipse 50

SURFACE STEM



SPECIFICATION SHEET

Eclipse 50

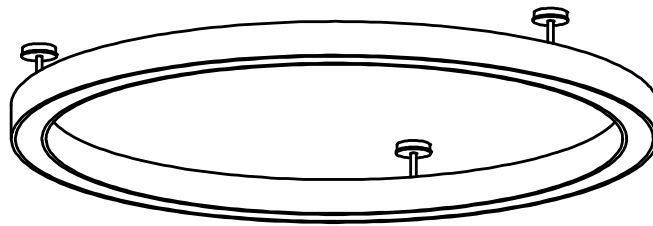
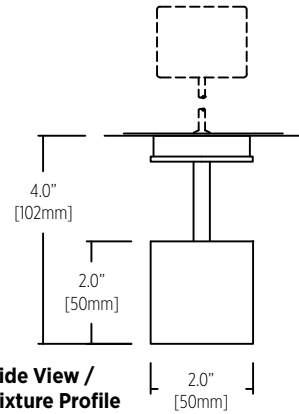


Note:
If separate up/down light is selected
2 power entry points are required

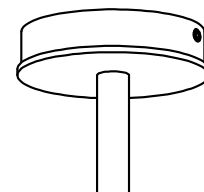
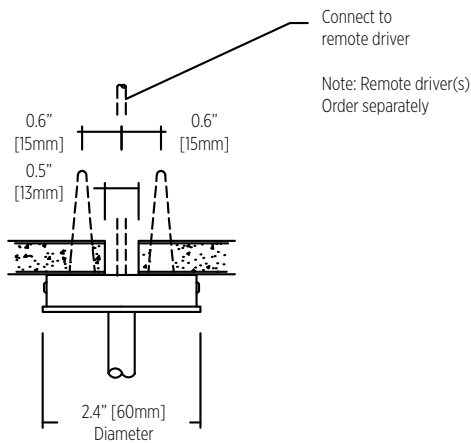
Remote driver(s)
Order separately

SMO-1
Standard-Supplied

Size



SMO-1 Standard - Supplied



Mounting Option - Stem, Power / Non Power
Installed in drywall or wood
Application wall or ceiling